



Datenblatt - Fiche technique - Data sheet

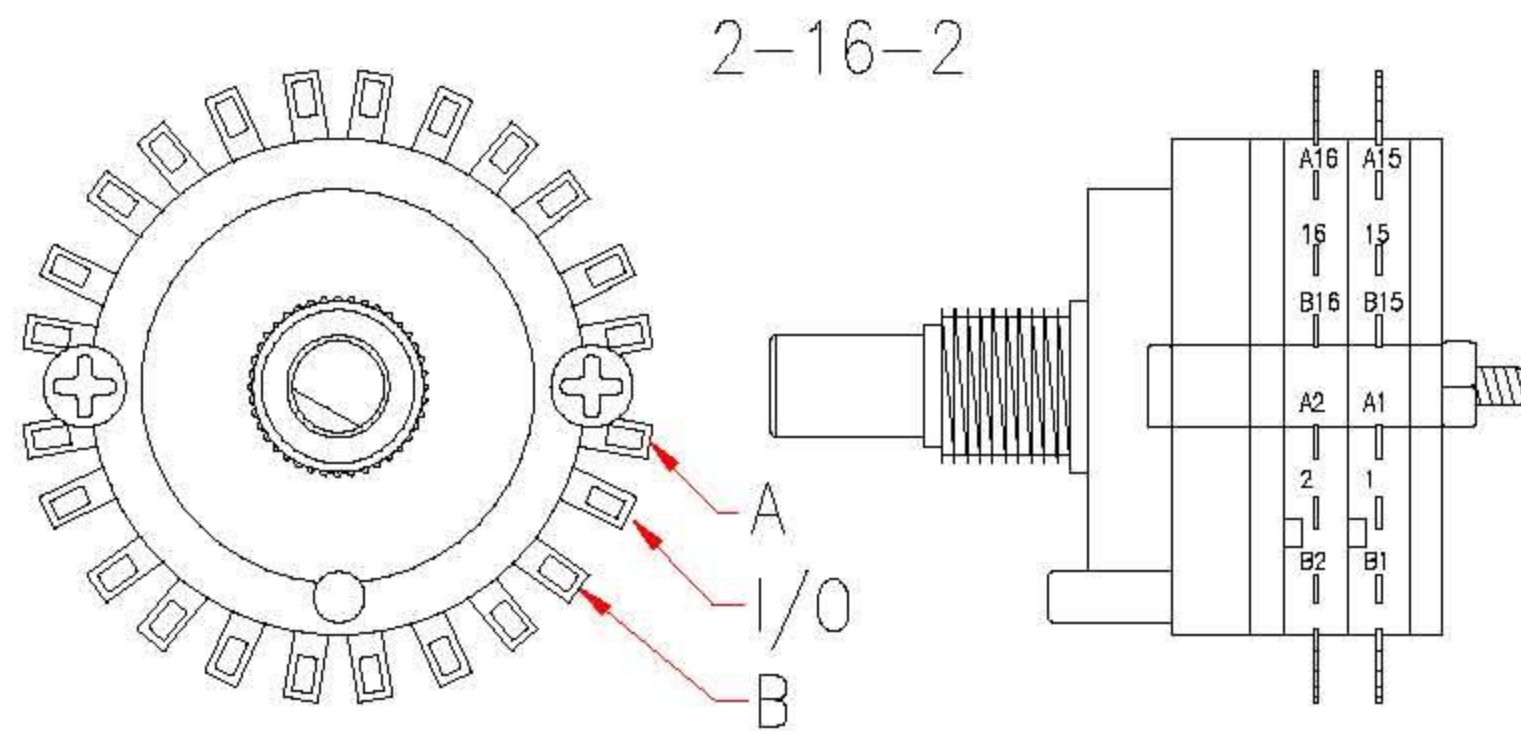
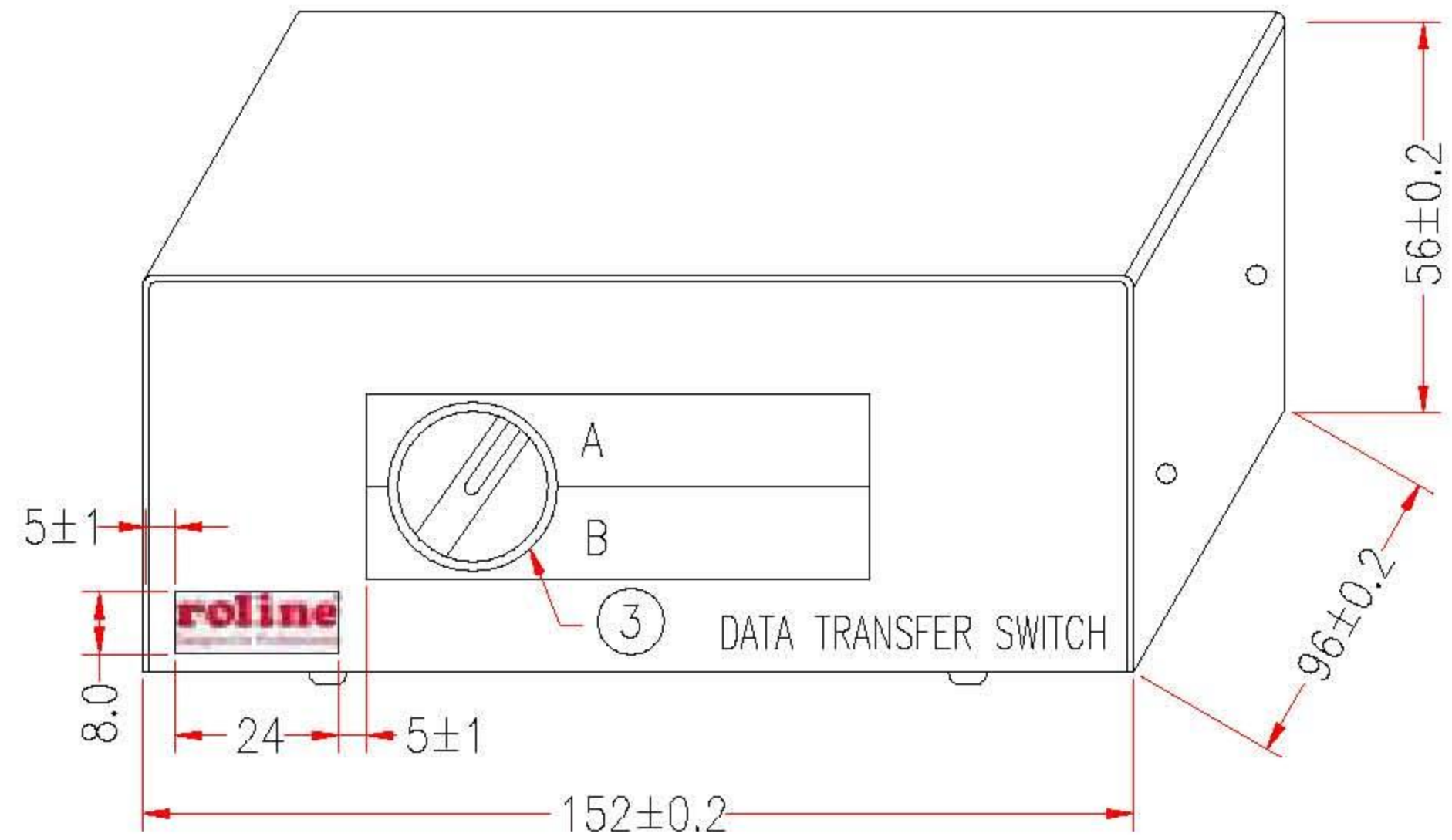
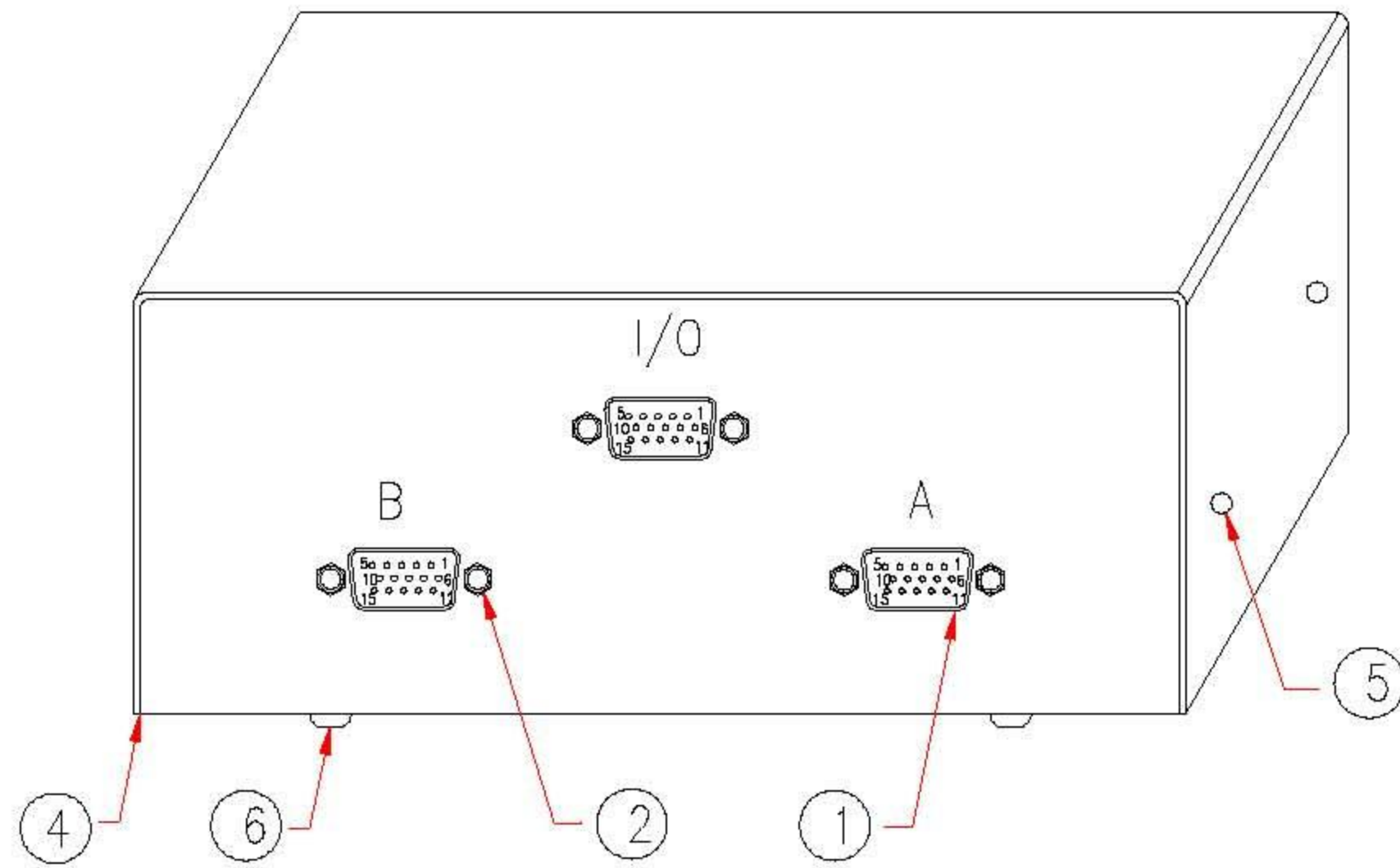
14.01.2930



ROLINE Switch VGA, AB

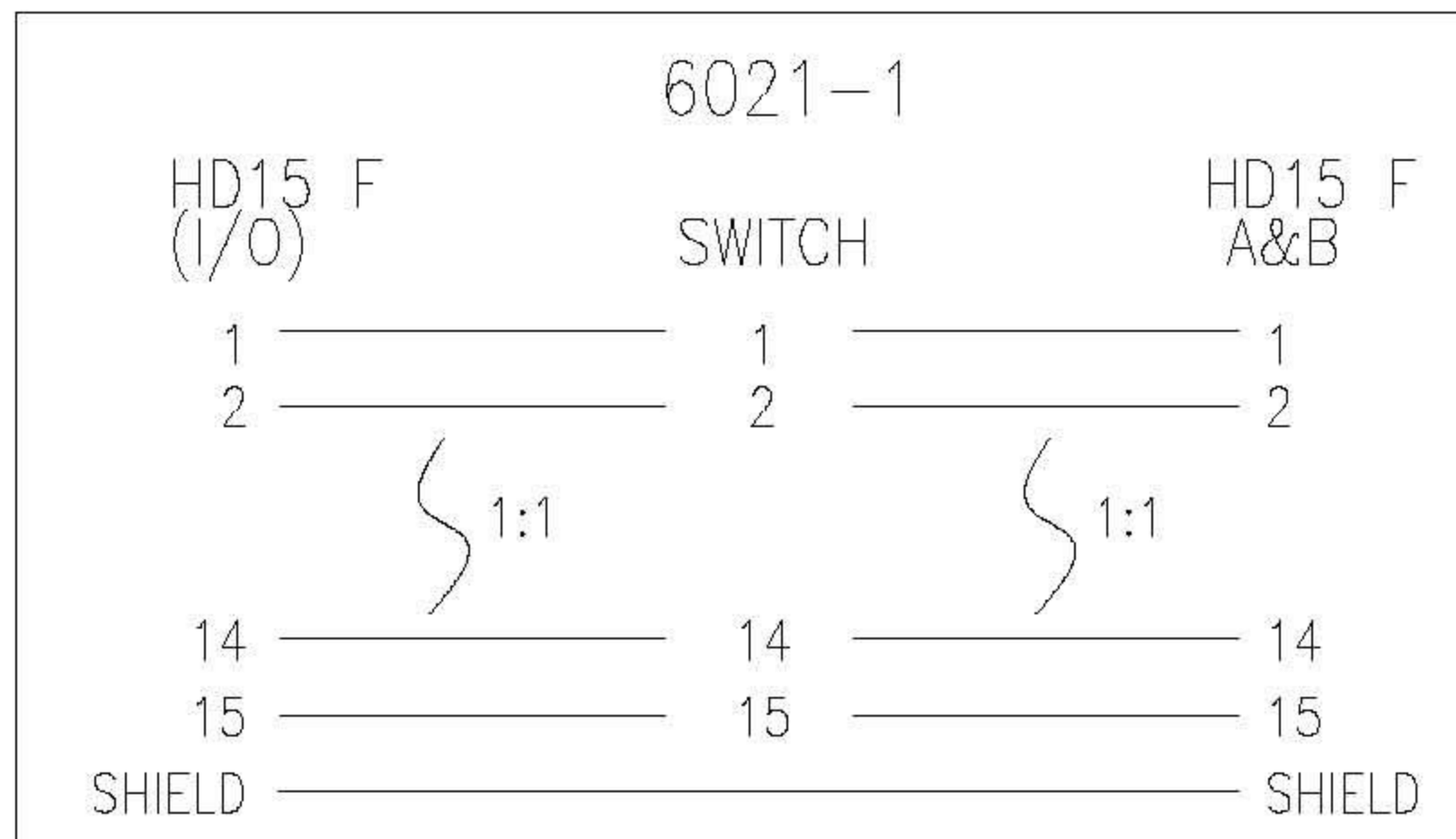
ROLINE Commutateur VGA, AB

ROLINE Switch VGA, AB



← PRINTING ON METAL CASE

NOTE: THE WORDS "Designed for Professionals" AND "DATA TRANSFER SWITCH" MUST BE PARALLED FRONT AND BACK TEXT COLOR NEED TO RED WORD



6	PLASTO-VISCO-ELASTIC BODY	4	M562
5	SCREW 3*6PWB	4	M805
4	METAL CASE, THICKNESS 0.8mm	1set	M315
3	UL1061 26AWG INSULATOR, LENGTH 150mm	47	M541
	MAIN HEART 2-16-2	1	M94
	SCREW 4*12.5mm WITH PAD	1set	M94
	KNOB FOR A, B, SWITCH	1	M94
2	HEX-NUT 4.75*13mm, SCREW CAP 4.75*1.5	6set	M95
1	HD15 FEMALE, GOLD FLASH ON CONTACTS, BLUE INSULATOR	3	M108
No.	DESCRIPTION	Q'TY	Supplier

APPROVED		Cable Length Unless Other Spec. Tolerances: 0 ~200mm ±10mm 201~1000mm ±20mm 1001 ~1500mm ±25mm 1501~2100mm ±30mm 2100mm↑ ±40mm
CHECKED	TIAN	
DRAWING	ZOE	
DATE	14/JUN/07	

ITEM NO.	14.01.2930	UNIT:mm	
----------	------------	---------	--

CHECKED